

Output CA Ø23  
Input CA Ø7

Ø30

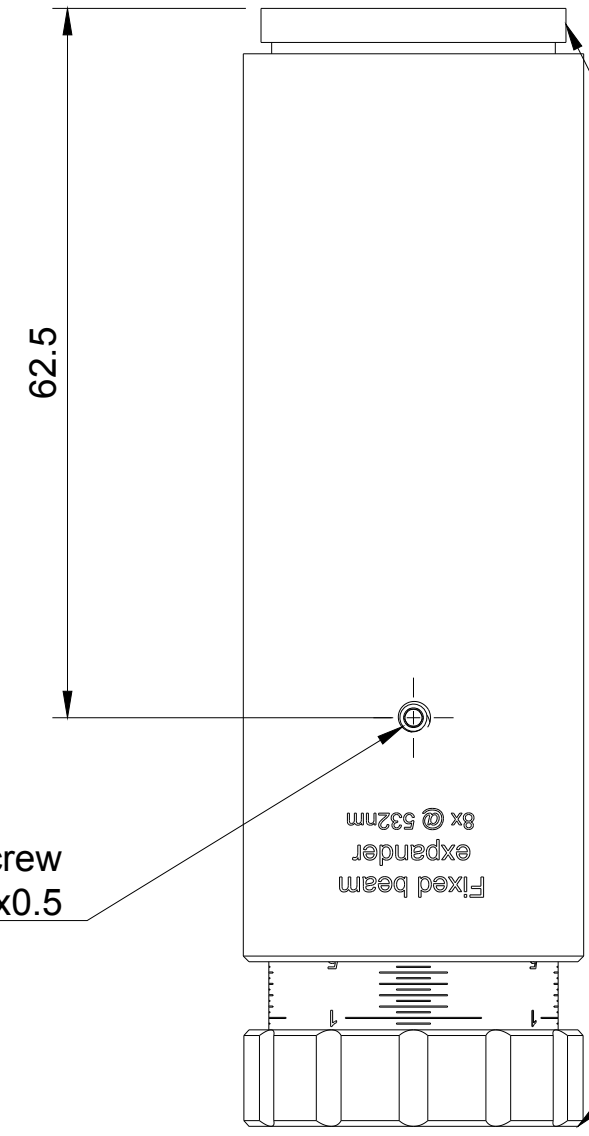
THREAD SM1  
1.035" - 40

84

4

Rotate to adjust  
Divergence

98.5  
[Max - 104 | Min - 92.5]



62.5

Lock screw  
M3x0.5

Fixed beam  
expander  
8x @ 532nm

**Default mounting thread:**  
SM1 Male


**Available mounting adapters:**  
SM1 Male to M30x1 Male  
SM1 Male to C-Mount [1" - 32 UN]

**Default mounting thread:**  
SM1 Female [max 2.3mm]

**Available mounting adapters:**  
SM1 Female to M30x1 Male



FOR INFORMATION ONLY  
NOT FOR MANUFACTURING PURPOSES

Dept.	Technical reference 1.5:1	Created by Optogama 18/07/2018	Approved by	
		Document type	Document status	
		Title FEX8X-532 fixed beam expander 8X @ 532nm	DWG No. FEX8X-532	
Rev.	Date of issue	Sheet 1/1		