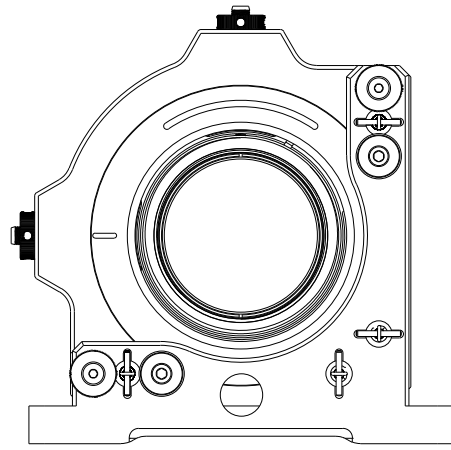
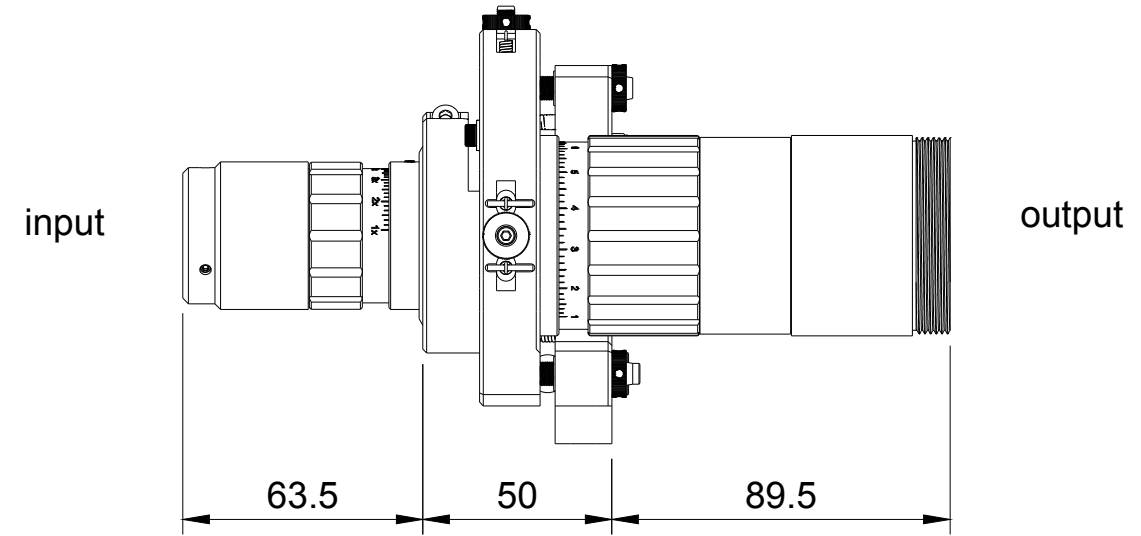


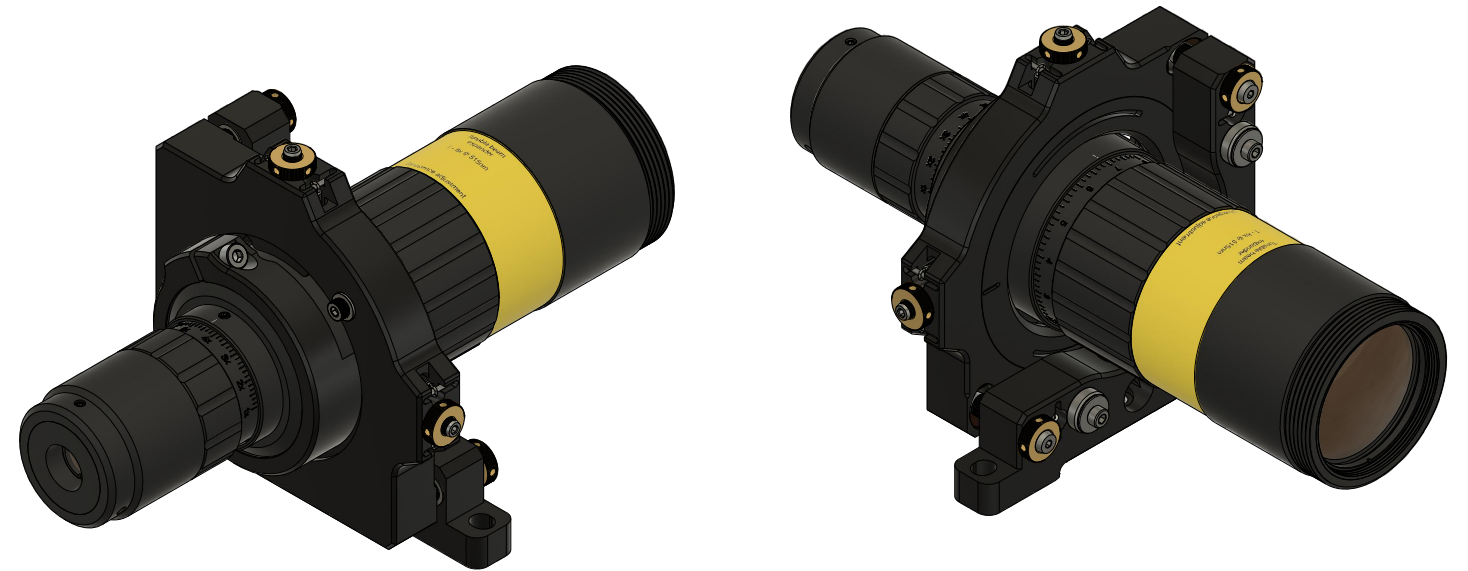
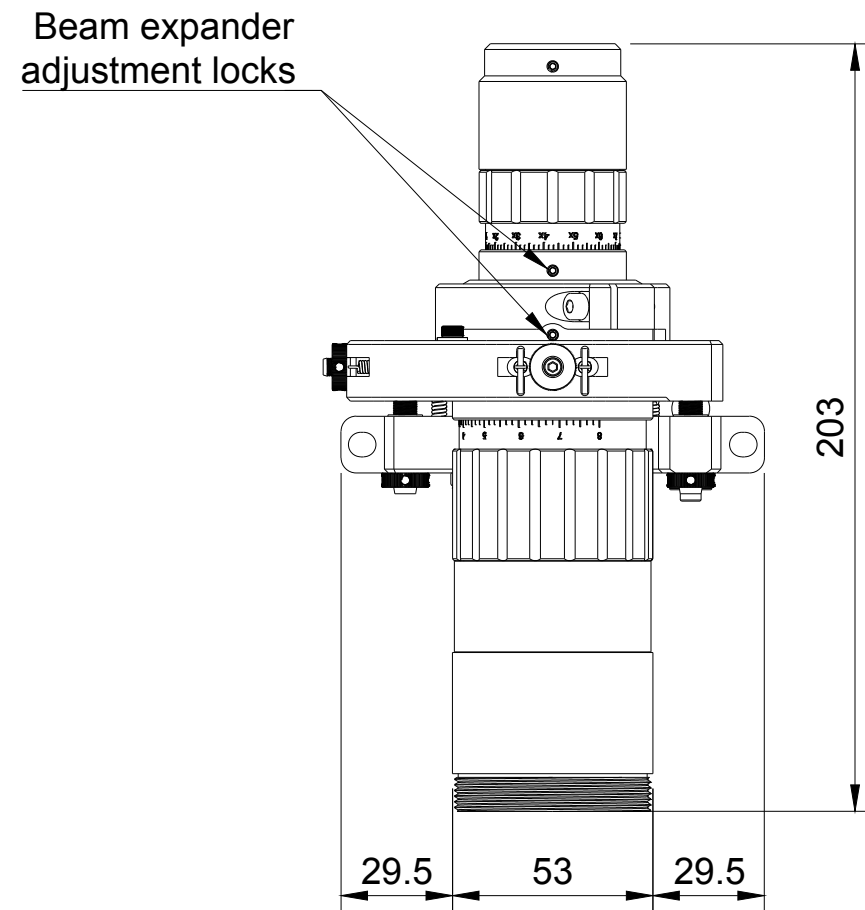
Back view



Side view



Top view



NOTE 4-axis Industrial kinematic mount with XY Tilt and XY platforms locks

! FOR INFORMATION ONLY **!**
NOT FOR MANUFACTURING PURPOSES



Finish Anodized Aluminium		Created by Optogama 2023-03-02	
Title 4 axis kinematic mount Mounted VEX18		DWG No. KMOUNTv1.1	
Scale 1:2	A3	Sheet 1/1	