

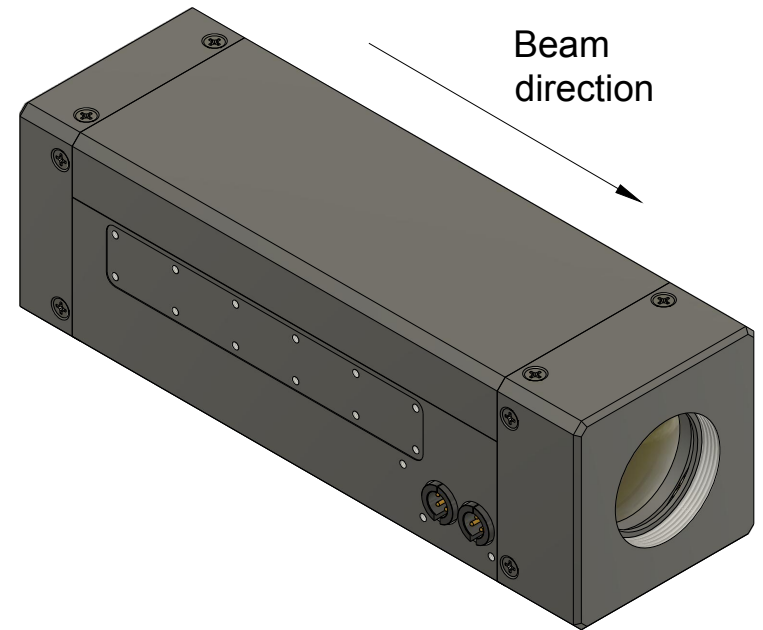
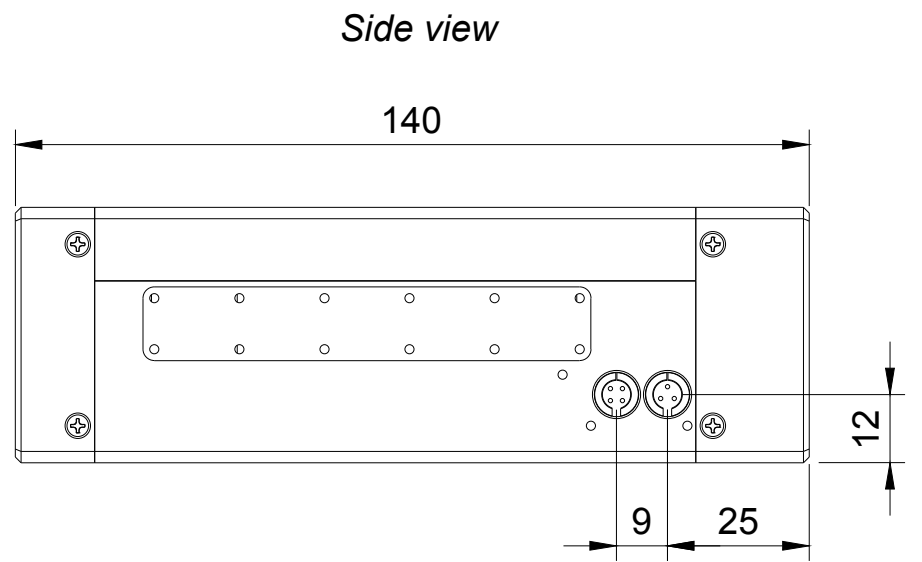
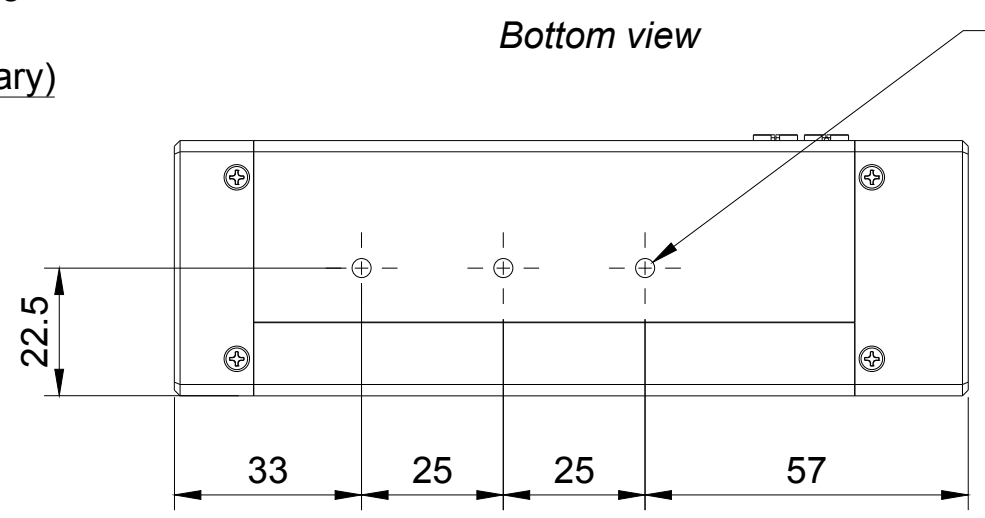
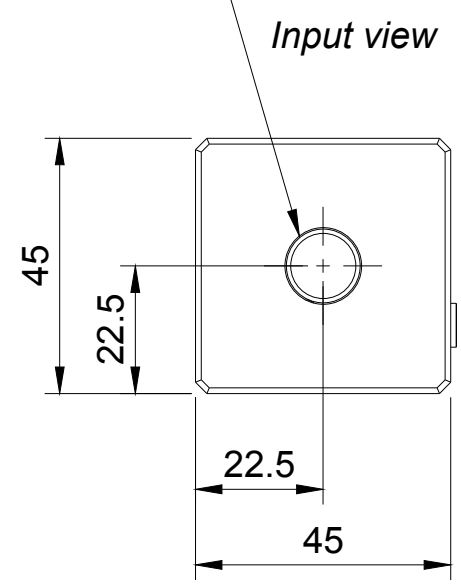
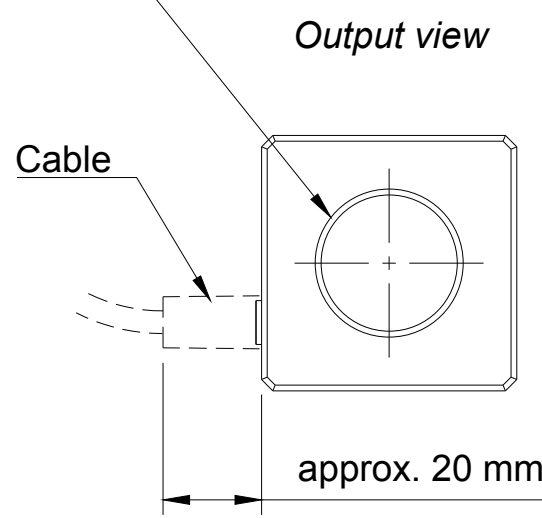
1 2 3 4 5 6 7 8

A
B
C
D
E
F

Output CA Ø23
SM1 Thread $\nabla 4.5$ for
1" or 25mm protective windows
up to 2mm thickness
(SM1RR retaining ring necessary)


Input CA Ø11.5
SM05 Thread $\nabla 3.5$ for
1/2" or 12mm protective windows
up to 2mm thickness
(SM05RR retaining ring necessary)

3 x Mounting holes
M4x0.7 $\nabla 5$



NOTE: Natural anodized aluminium for UV
Black anodized aluminium for VIS and NIR

! FOR INFORMATION ONLY
NOT FOR MANUFACTURING PURPOSES **!**

	Finish Anodized Aluminium	Created by Optogama 2020-12-31	
	Title Motorised beam expander MEX13 1.0x - 3.0x	DWG No. MEX13v2.2	
	Scale 3:4	A3	Sheet 1/2

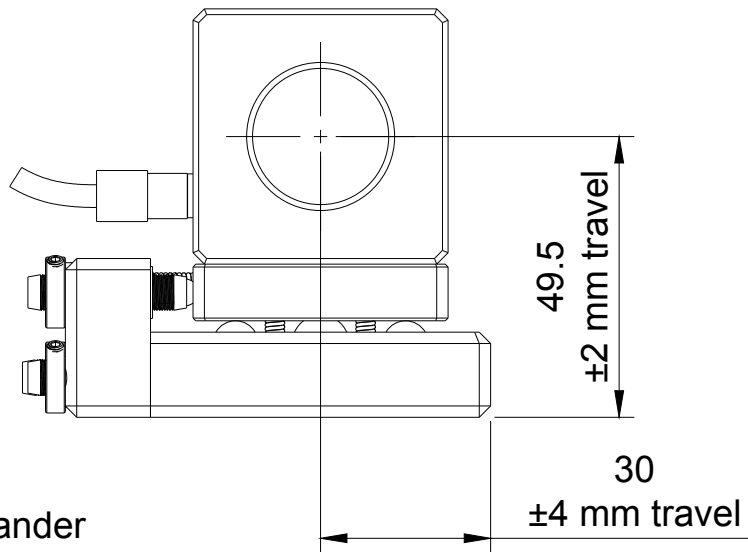
1 2 3 4 5 6 7 8

1 2 3 4 5 6 7 8

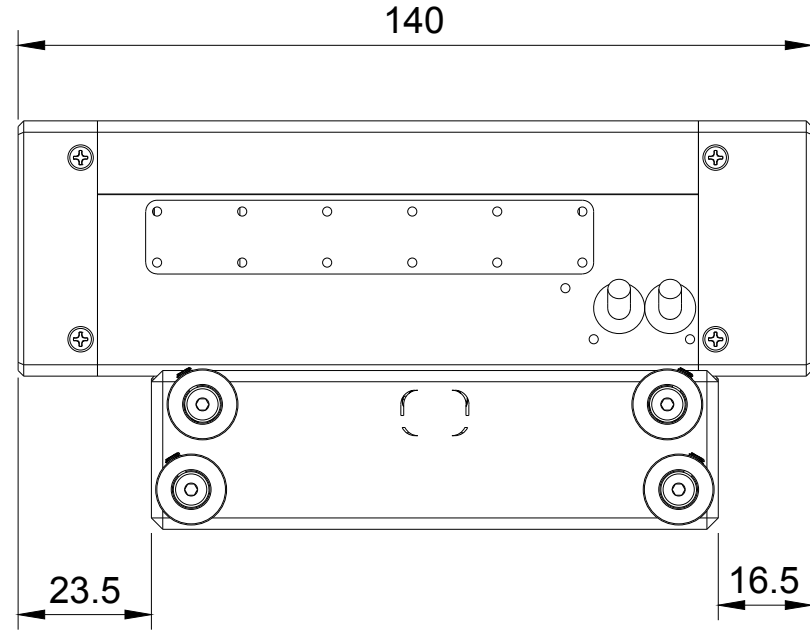
A
B
C
D
E
F

A
B
C
D
E
F

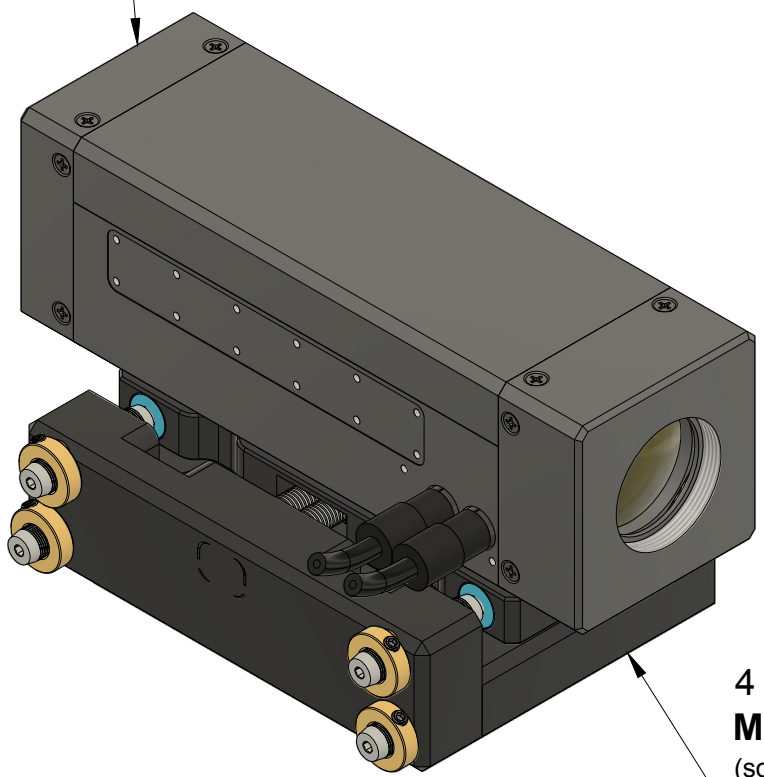
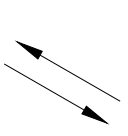
Front view



Side view

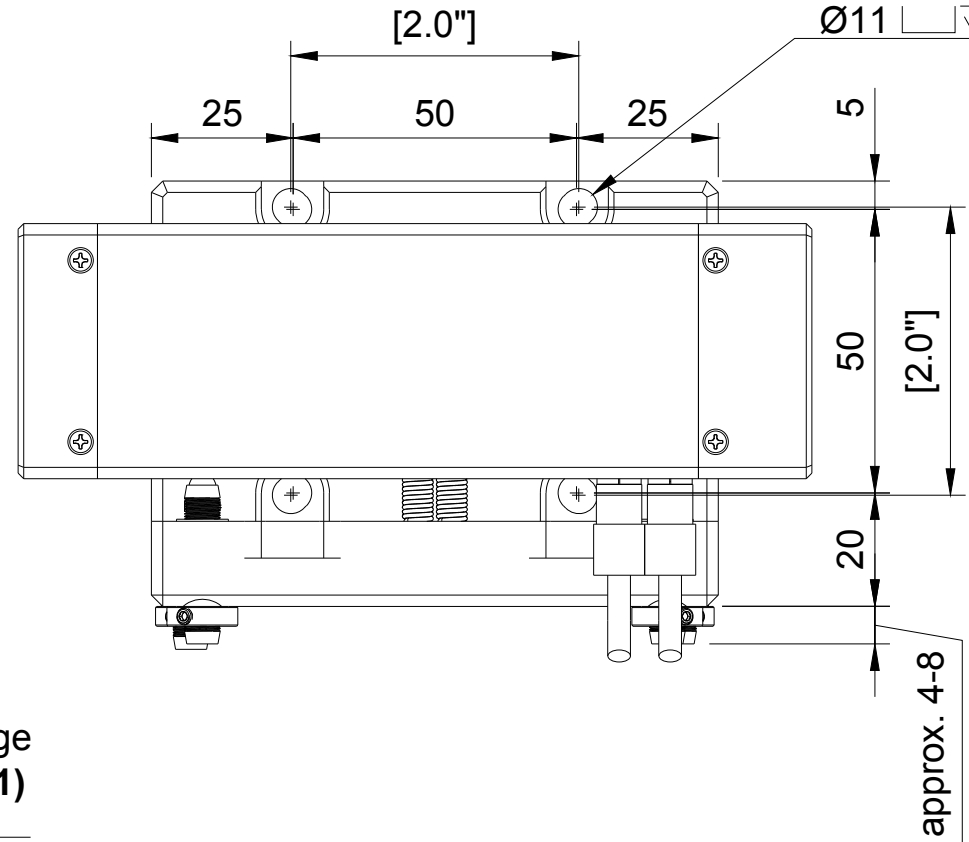


NOTE: Motorised expander can be mounted in both directions



4 axis translation stage
MSTAGE (SKU12571)
(sold separately)

Top view



4 x Slots for Stage fixing
(fits M6x1.0 or 1/4"-20 screws)
6.5 THRU
Ø11 \square 7

! FOR INFORMATION ONLY
NOT FOR MANUFACTURING PURPOSES **!**



Finish Anodized Aluminium	Created by Optogama	2020-12-31
Title Motorised beam expander MEX13 1.0x - 3.0x	DWG No. MEX13v2.2	
Scale 3:4	A3	Sheet 2/2

1 2 3 4 5 6 7 8