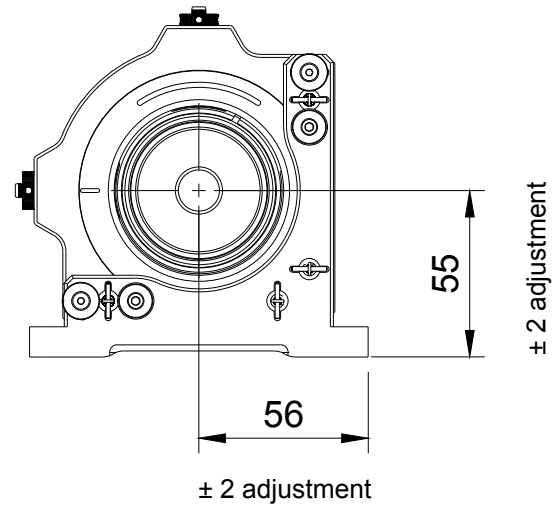
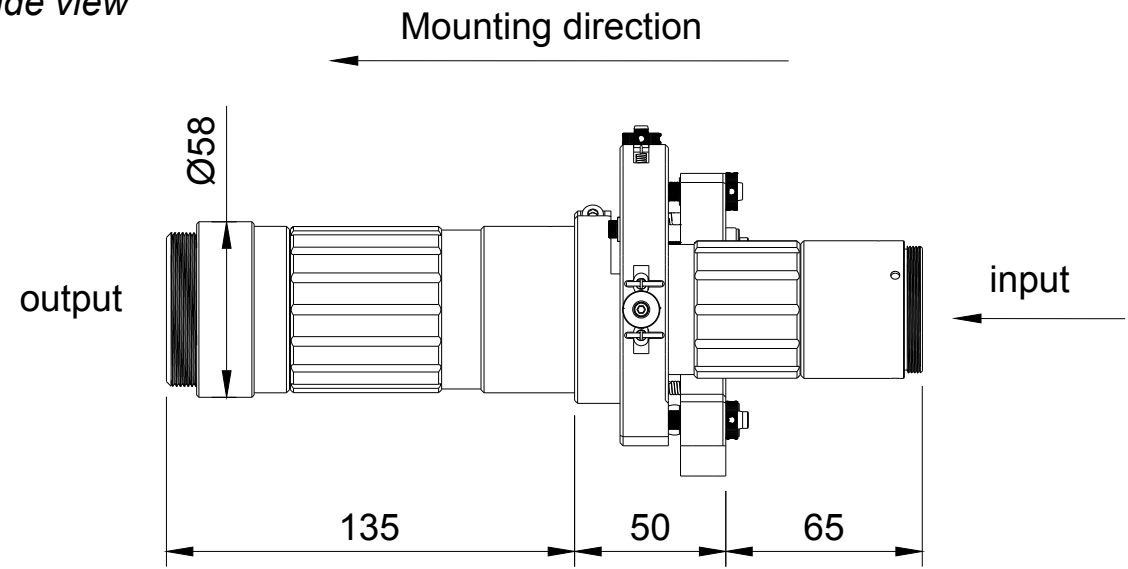


Back view

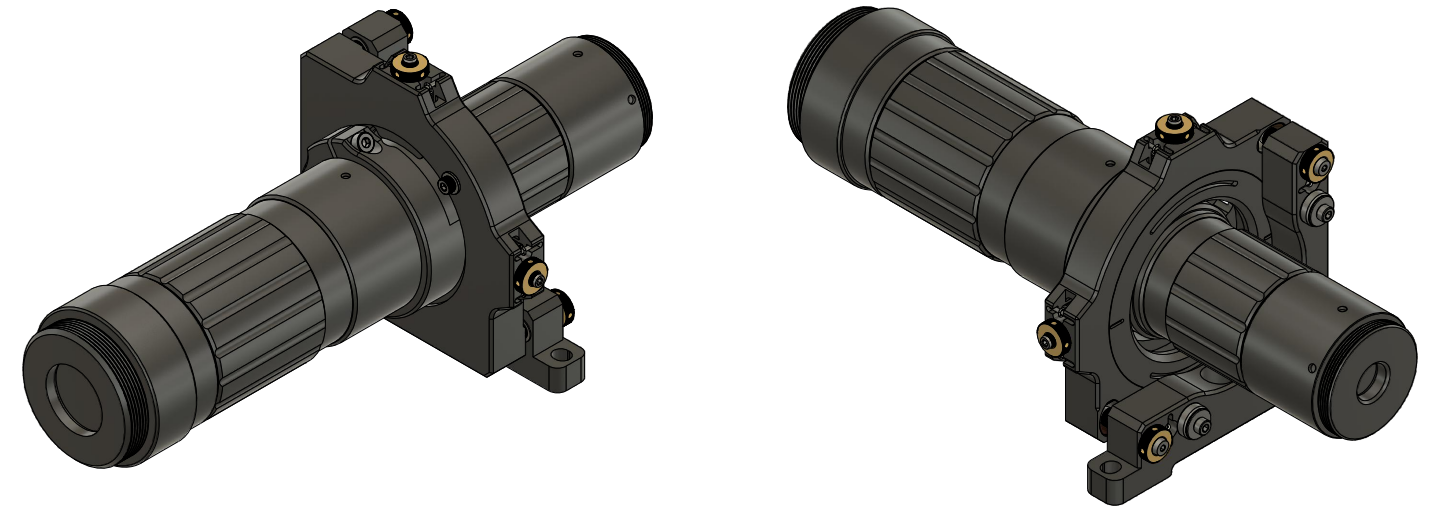
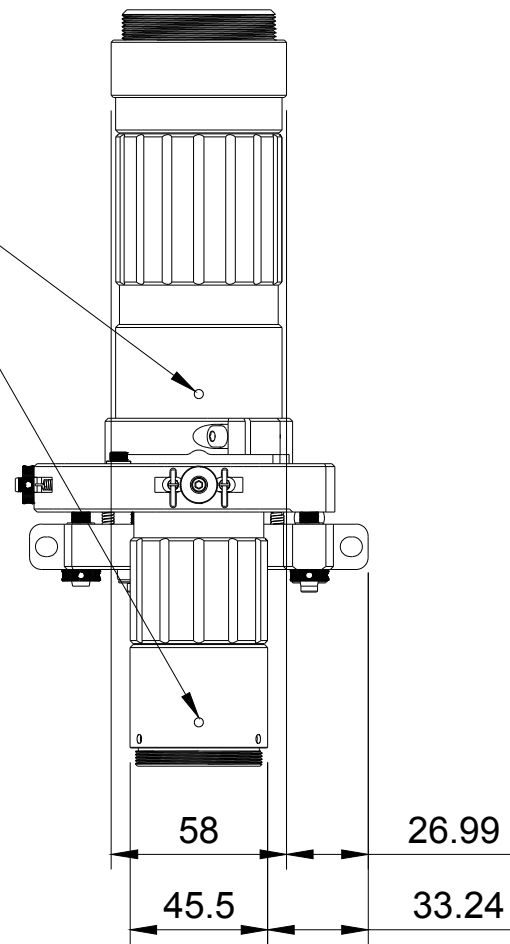


Side view



Top view

Beam expander adjustment locks



NOTE 4-axis Industrial kinematic mount with XY Tilt and XY platforms locks

! FOR INFORMATION ONLY **!**
NOT FOR MANUFACTURING PURPOSES



Finish Anodized Aluminium	Created by Optogama 2023-03-02	
	Title 4 axis kinematic mount Mounted VEX15-HP	
Scale 1:2	A3	Sheet 1/1