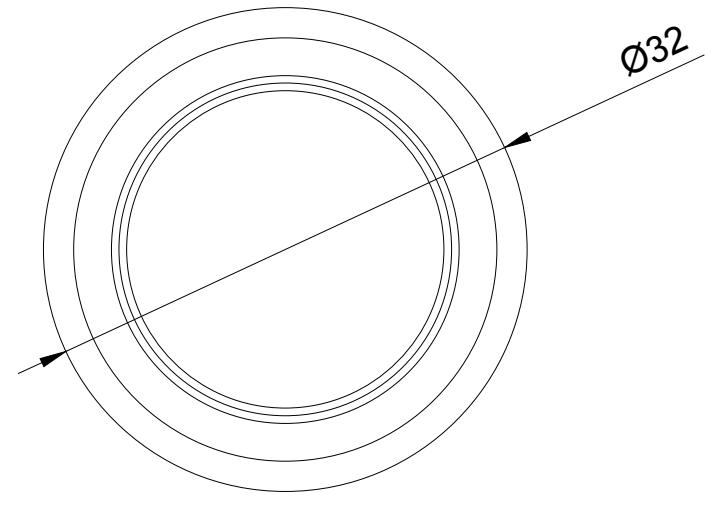
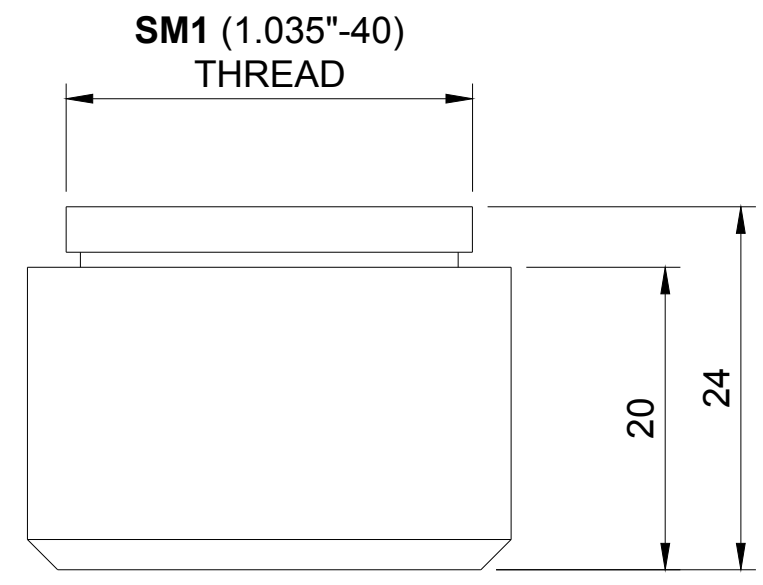


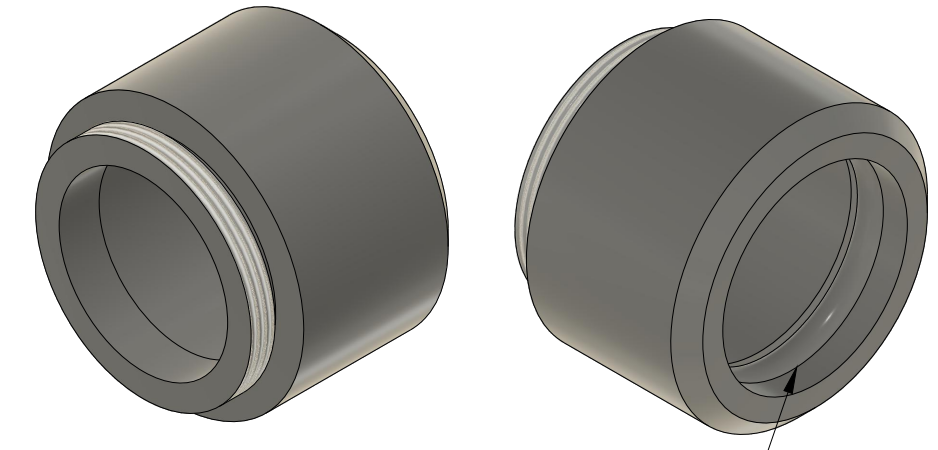
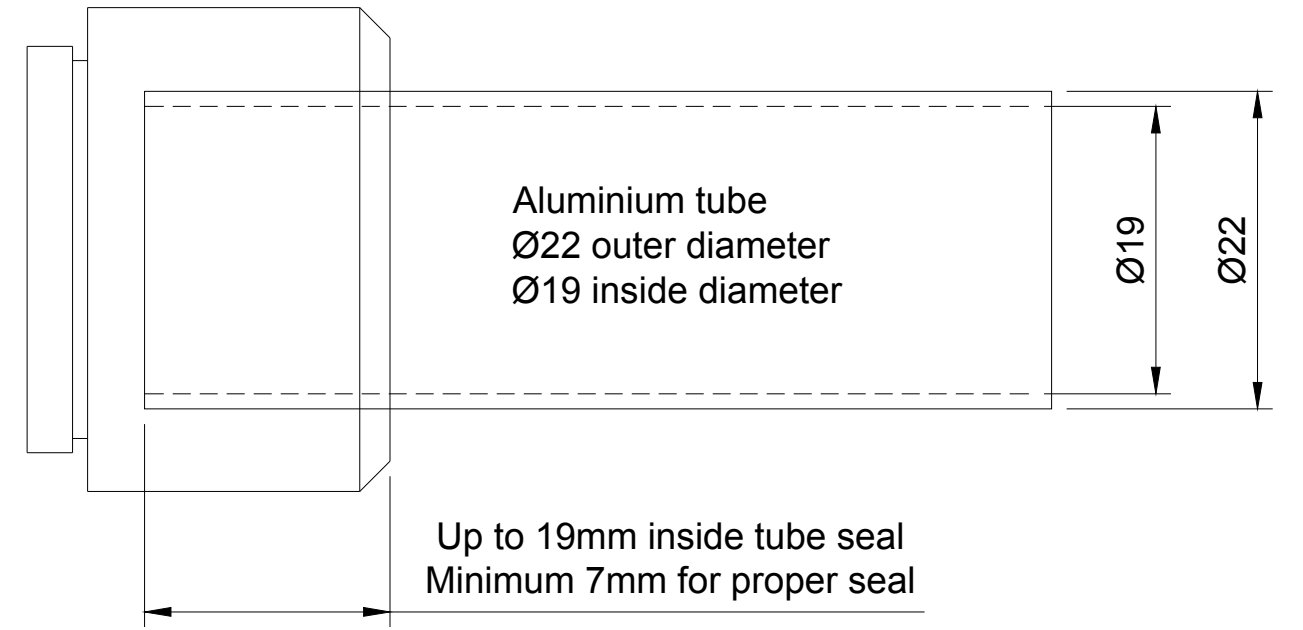
Back view



Top view



Tube mounting example



O-ring for sealing

! FOR INFORMATION ONLY **!**
NOT FOR MANUFACTURING PURPOSES



Finish Anodized Aluminium	Created by Optogama 2022-10-27	
	Title XYIND-SEAL-SM1 Tube seal for 22/19mm tube	
Scale 2:1	A3	Sheet 1/1