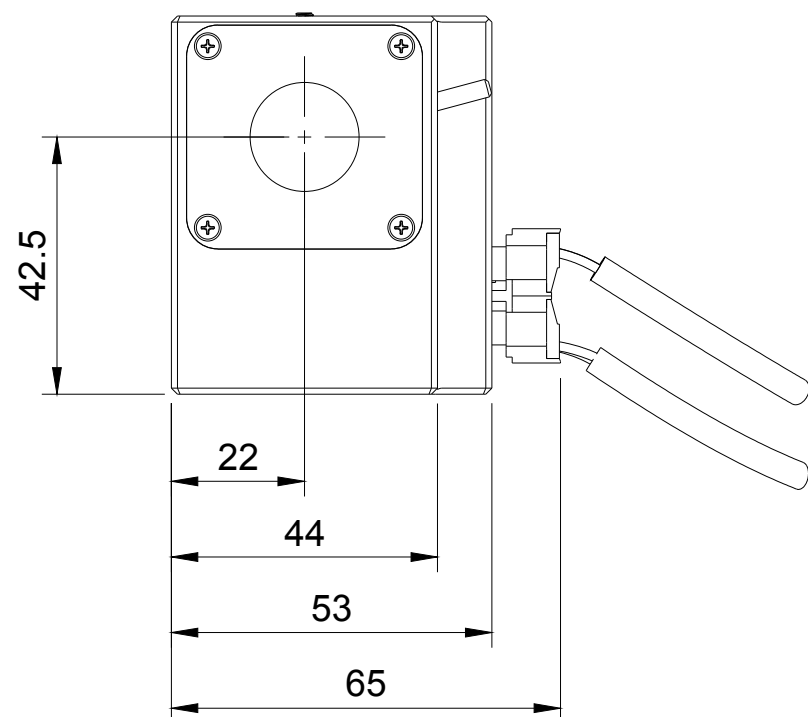
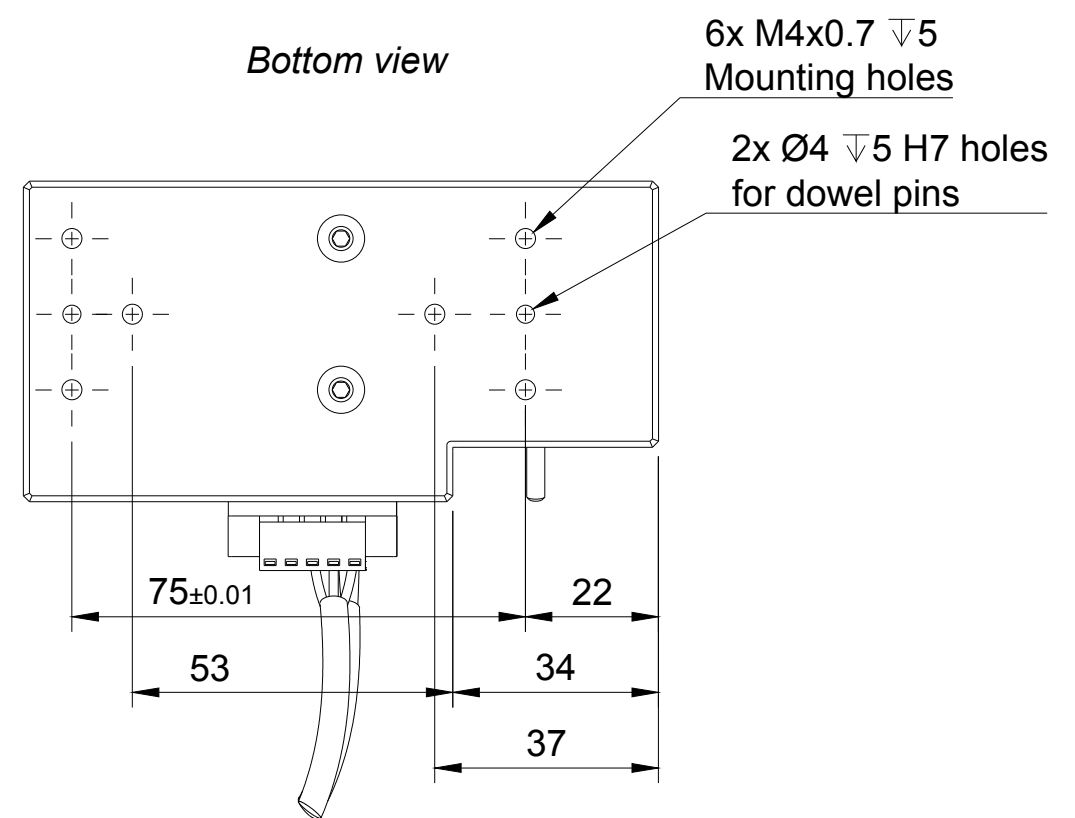


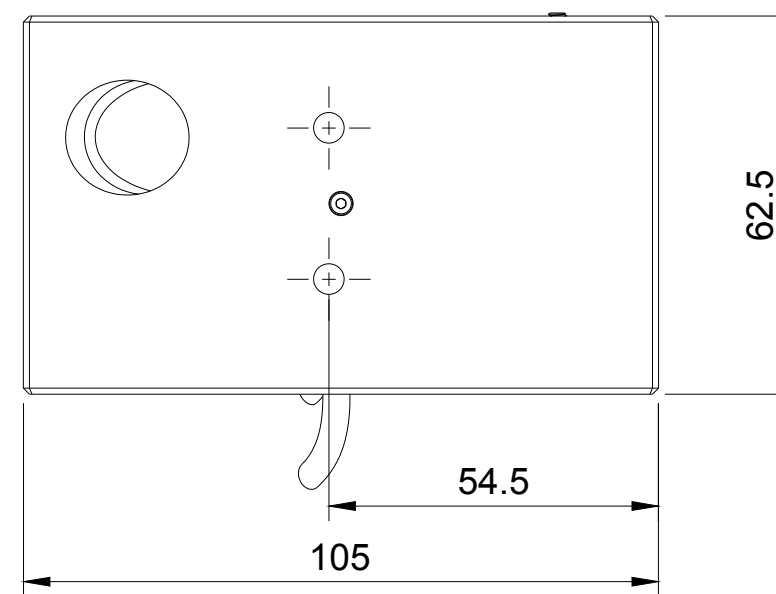
Front view



Bottom view



Side view

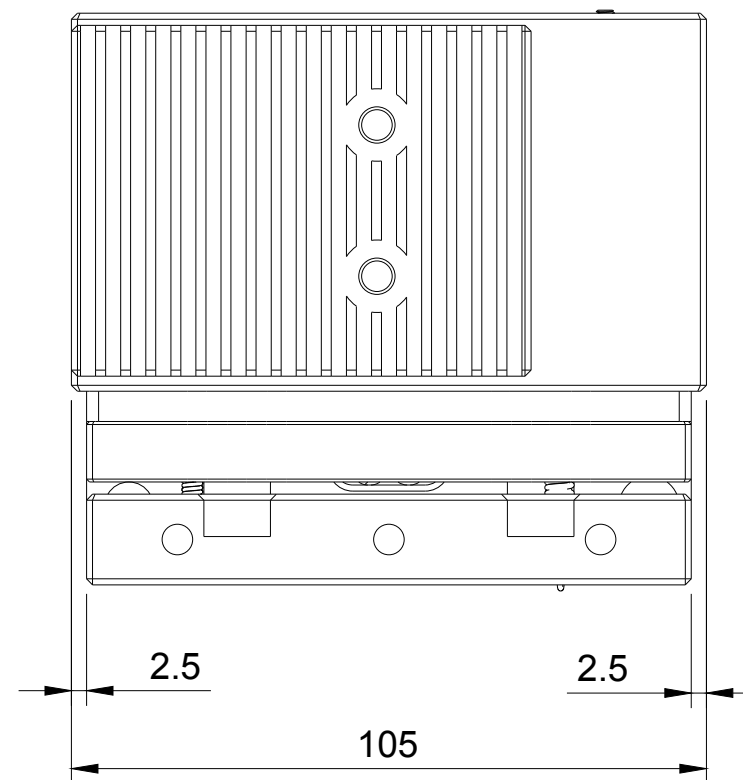
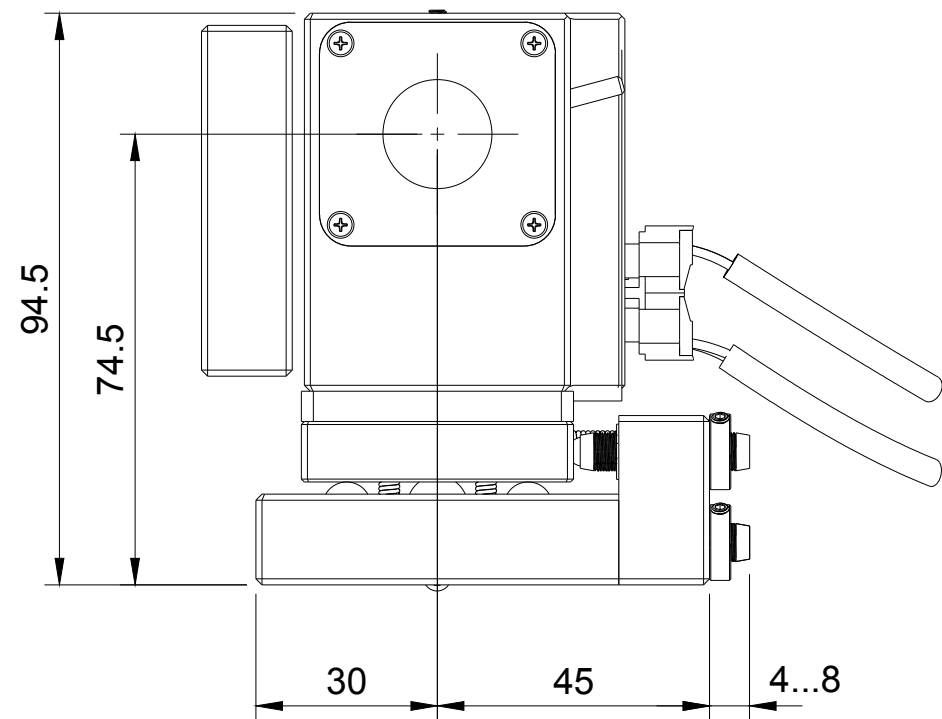
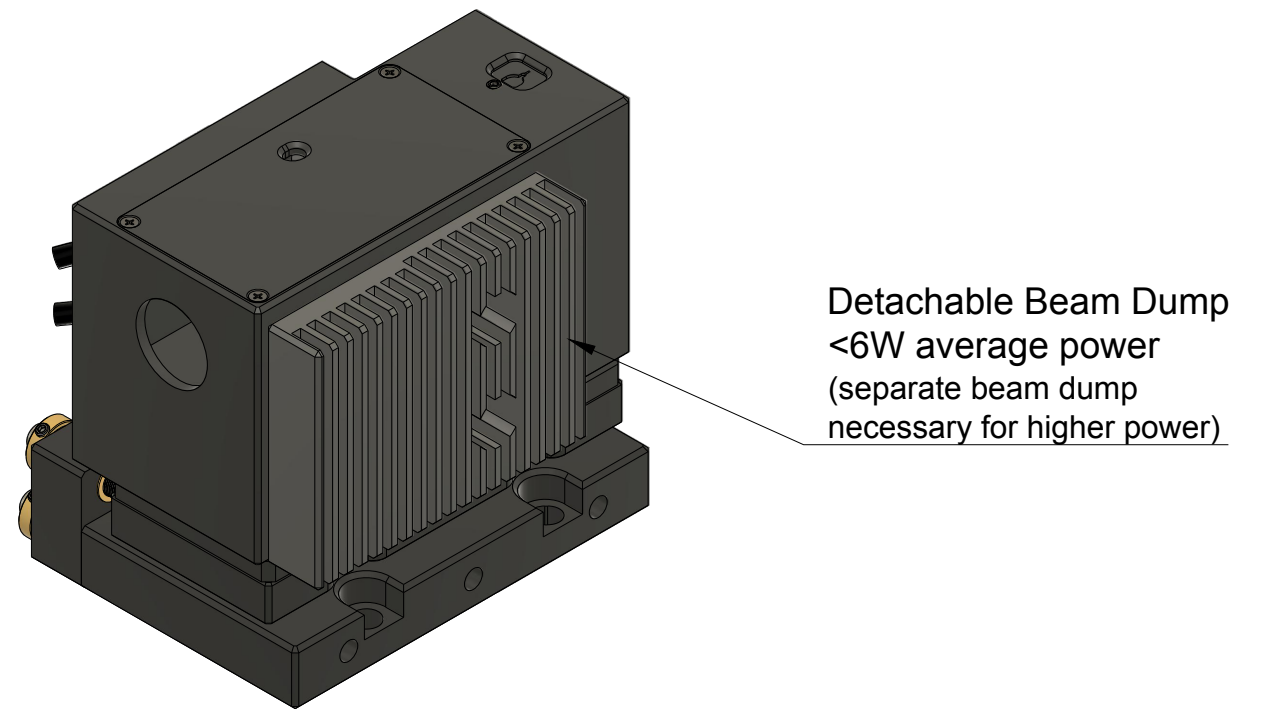
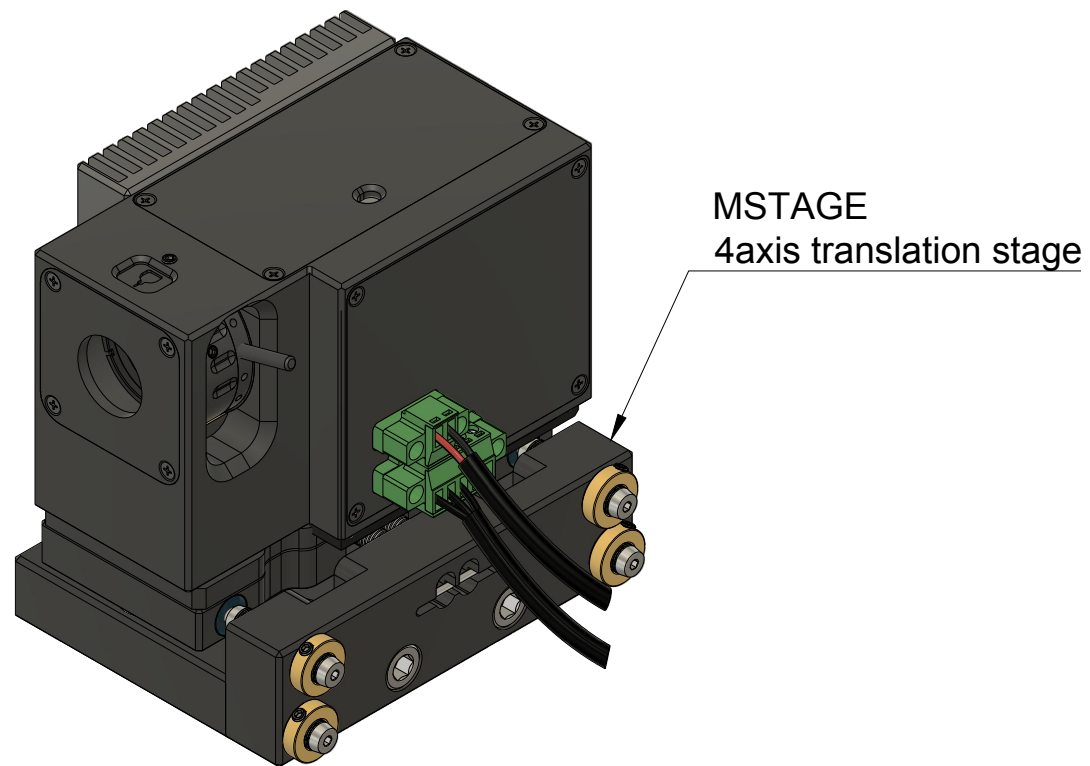


**!** FOR INFORMATION ONLY  
NOT FOR MANUFACTURING PURPOSES **!**



Finish  
Anodized Aluminium  
Title  
**FTC**  
**Flat Top Converter**

Created by  
**Optogama** 2022-02-01  
DWG No.  
**FTCv1.1**  
Scale  
1:1.5 A3 Sheet  
1/2



**!** FOR INFORMATION ONLY  
NOT FOR MANUFACTURING PURPOSES **!**



Finish  
Anodized Aluminium

Created by  
Optogama 2022-02-01

Title  
**FTC**  
Flat Top Converter

DWG No.  
FTCv1.1

Scale  
1:1.25 A3

Sheet  
2/2