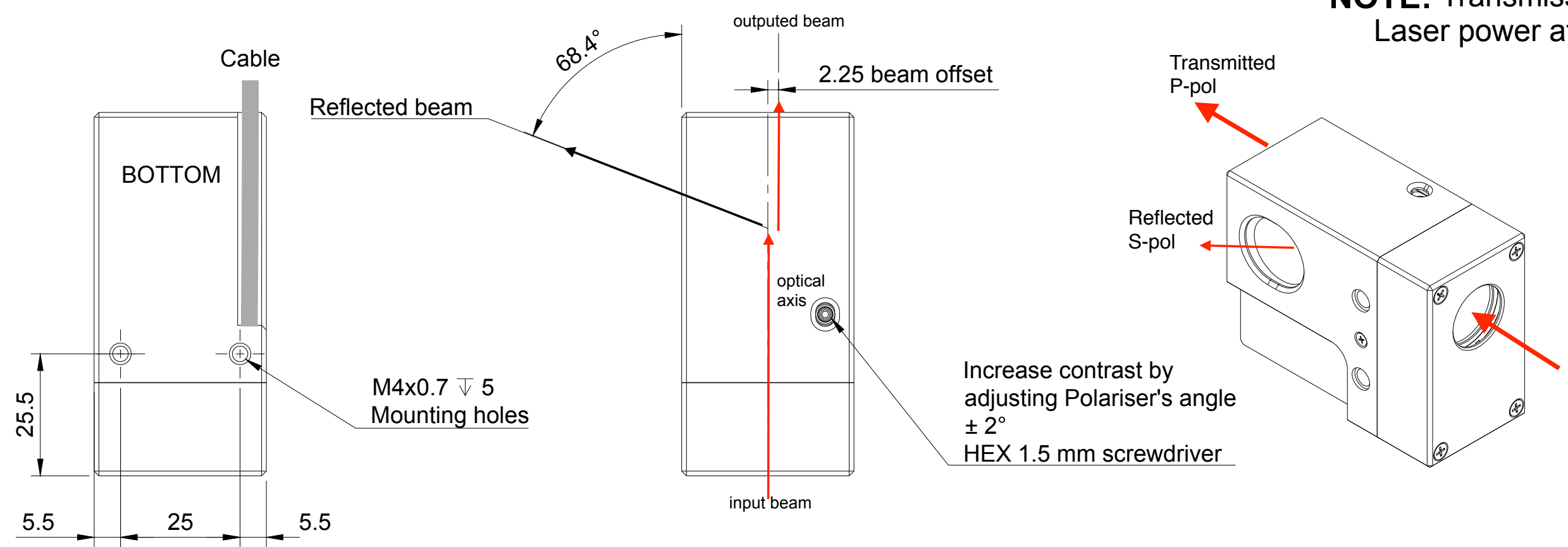


NOTE: Transmission type
Laser power attenuator !



! FOR INFORMATION ONLY
NOT FOR MANUFACTURING PURPOSES **!**



Finish Black anodized Aluminum	Created by Optogama	31/12/2018
Title LPAv2.7 Industrial Laser Power Attenuator	DWG No. LPAv2.7	
Scale 1	A3	Sheet 1/1